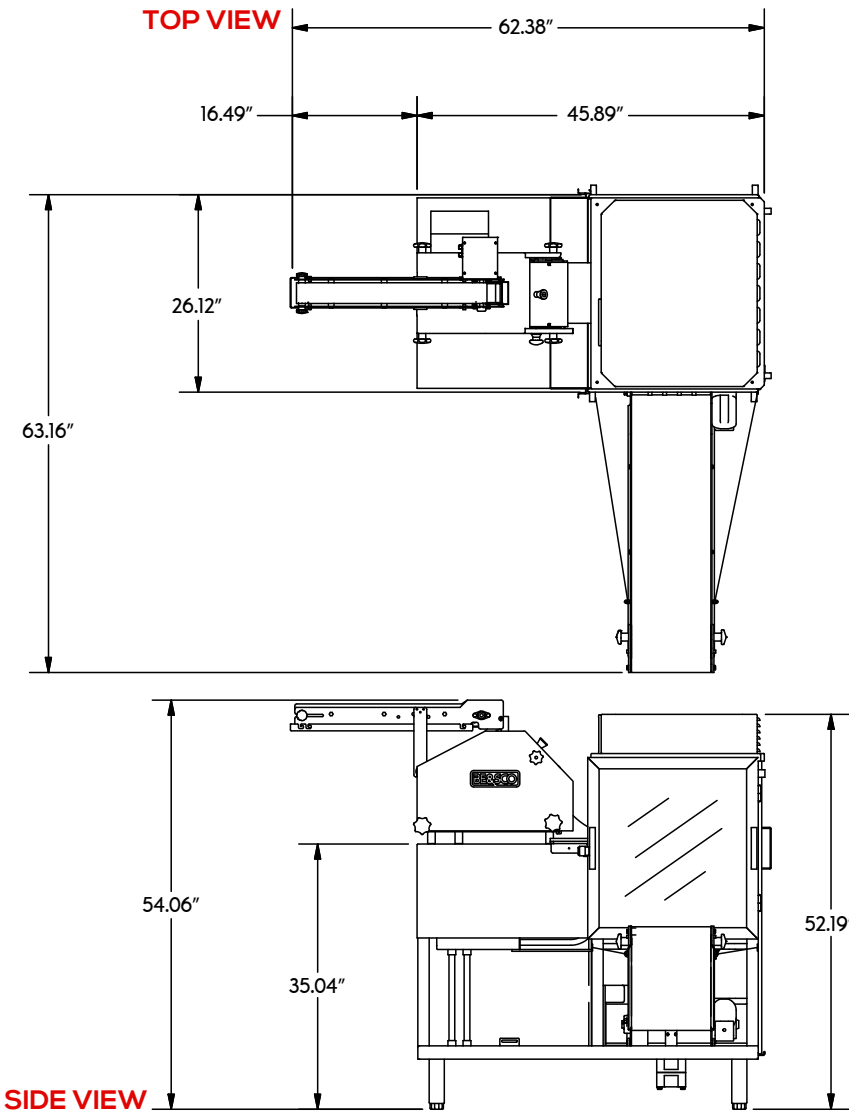




BETA 900 ELECTRIC - RIGHT EXIT - 42" AUTOMATIC FLATBREAD PRESS, OVEN & DTL





- 

CALIBRATED TO YOUR RECIPE
- 

900/HR.

HIGH PRODUCTION
- 

AUTOMATIC
- 

DIAMETER FROM 4" TO 7"
- 

SINGLE PERSON OPERATION

VOLTS	220/240V	WEIGHT	800LBS.
AMPS	45	DIMENSIONS	63.16" L X 62.38" W X 54" H
CYCLES	60HZ	ELECTRICAL	3-WIRE, SINGLE PHASE (L1-L2-G)
PHASE	SINGLE.	POWER	11000 WATTS

*You will need 240V to fully utilize the capabilities of the Beta 900 Electric Combo. Less than 220V requires installation of Buck and Boost.

**Production may vary due to the operator experience, diameter and thickness of product.



BE&SCO EQUIPMENT IS SOLELY INTENDED FOR USE IN A COMMERCIAL FACILITY.

REVISED: 04/10/2024